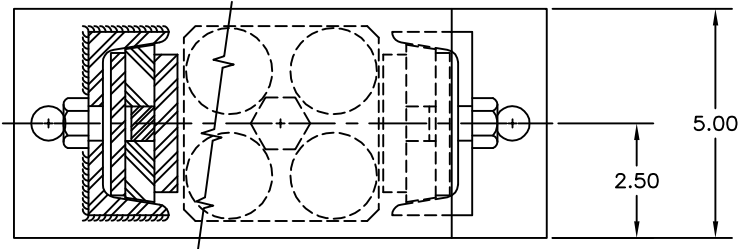
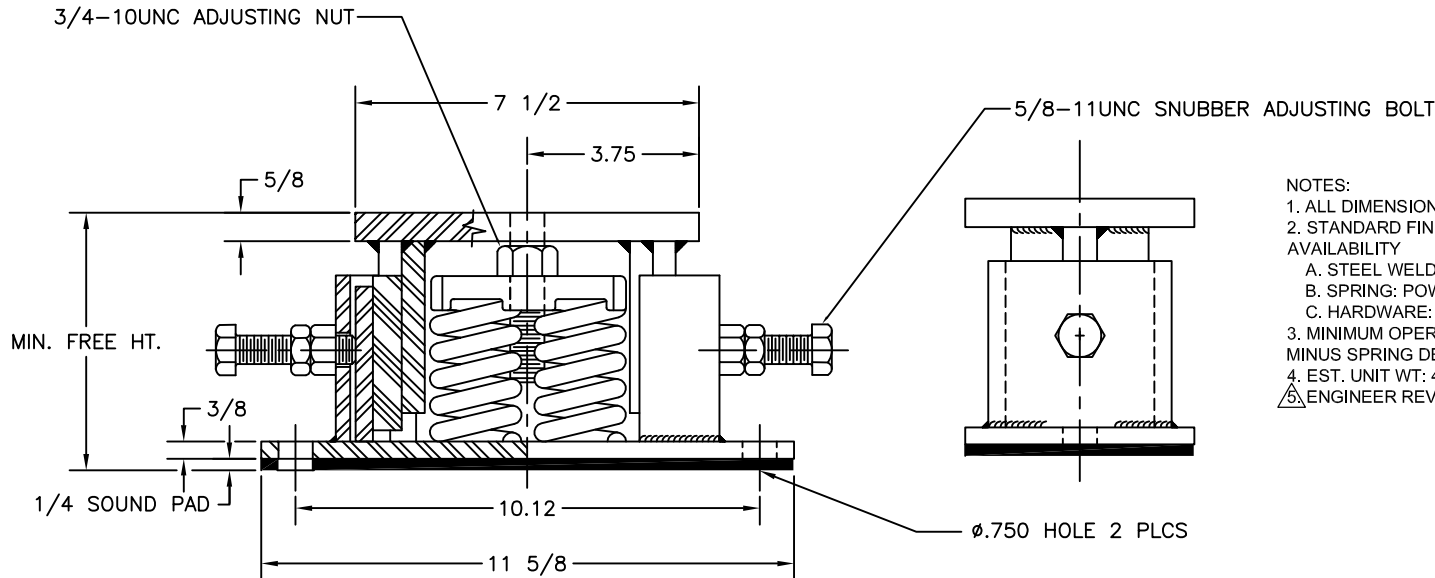


123R-103923 REV.: 1

REV.	DESCRIPTION	DATE	BY



PART NUMBER	ISOLATOR MODEL	MAX. STEADY (LBS)	MAX. IMPACT (LBS)	ISOLATOR CONSTANT (LBS)	MIN. FREE HEIGHT	COLOR CODE
606251-50	SIEY-50	200	△	100	7 1/8	YELLOW
606251-51	SIEY-51	500	△	250		ORANGE
606251-52	SIEY-52	800	△	480		BROWN
606251-53	SIEY-53	1200	△	760		BLACK
606251-54	SIEY-54	2000	△	1380		GREEN
606251-55	SIEY-55	2800	△	2240		BLUE
606251-56	SIEY-56	4800	△	6600	5 3/4	PURPLE
606251-45	SIEY-45	1300	1040	1760		BROWN
606251-46	SIEY-46	1800	1440	3200		RED
606251-47	SIEY-47	2400	1920	4900		PURPLE
606251-57	SIEY-57	4400	3300	8520		BLUE
606251-68	SIEY-68	5200	4900	10600		6 1/8



- NOTES:
- ALL DIMENSIONS ARE IN INCHES, INTERPRET PER ANSI Y14
 - STANDARD FINISH: CONTACT VMC FOR ADDITIONAL AVAILABILITY
 - A. STEEL WELDMENTS: STANDARD VMC COLOR
 - B. SPRING: POWDER COATED
 - C. HARDWARE: ELECTRO-ZINC PLATED
 - MINIMUM OPERATING HEIGHT IS 5 1/4", OR FREE HEIGHT MINUS SPRING DEFLECTION, WHICHEVER IS GREATER.
 - EST. UNIT WT: 45 LBS
 - △ ENGINEER REVIEW

OTHER MATERIALS, COMPOUNDS, OR FINISHES WITH EQUAL OR SUPERIOR PROPERTIES MAY BE SUBSTITUTED AS THEY BECOME AVAILABLE.

CERTIFIED FOR:

JOB NAME: _____

CUSTOMER : _____

CUSTOMER P.O.: _____

SALES ORDER: _____

**MODEL SIEY 200-5200 LBS.
SPRING ISOLATOR WITH
ADJUSTABLE SNUBBER**

THE VMC GROUP
The Power of Together
Bloomingdale, NJ 07403
Houston, TX 77041

SCALE : NONE	
DRAWING NO.:	
REVISION	